

KOMATSU®

CK30-1

NET HORSEPOWER
62.6 kW **84 HP** @ 2500 rpm

OPERATING WEIGHT
4330 kg **9,546 lb**

**CK
30**

COMPACT TRACK
LOADER



Photos may include optional equipment.

WALK-AROUND

Easy to use Travel and Loader PPC Joysticks

Low effort Proportional Pressure Control (PPC) joysticks operate travel and loader operations. Easy to use PPC controls help operators of all skill levels work precisely and efficiently all day long – with minimum effort and reduced operator fatigue. The right joystick controls the arm and bucket while the left controls the travel.

Maximum Performance and Precise Control with Komatsu Hydraulics

Komatsu's smooth and precise hydraulic system lets the operator feel the performance of the machine. The Komatsu built system is designed for both single and simultaneous movements which achieves excellent control in positioning the bucket.

Standard Universal Attachment Quick Coupler

A universal quick coupler enables common attachments to be changed quickly and with minimal effort. Auxiliary hydraulics with flat faced connectors are standard. Most competitors' attachments can be utilized on Komatsu's compact track loaders.



Automatic Power Control

Patented Komatsu Automatic Power Control hydrostatic travel system is designed to allow full utilization of engine power. The operator can work with full engine power at any throttle setting without worrying about engine stall outs.

Outstanding Visibility

The large top and rear tempered glass windows, sloping hood, elevated seat platform and large side screen areas offer a superior view of the bucket, cutting edge and work at hand as well as the surrounding work area.

Enhanced Monitor System

The gauge panel, warning and indicator lights are mounted in the operator arm rest bar. Monitoring of all critical functions is easy, convenient and doesn't distract the operator from the job at hand.

Super Flow (Optional)

The Super Flow Hydraulic system increases the available oil flow from 21 to 34 GPM and includes case drain and electrical connections. The joystick mounted control system incorporates momentary reverse flow and multiple electrical inputs, enabling the CK30-1 to power most attachments, making it a very flexible and productive machine.

Versatility

Thanks to the wide supporting surface the tracks offer, the CK30-1 can effectively work on any type of soil, including mud and snow thus minimizing downtime related to bad weather. Furthermore, as the specific pressure on the ground is much lower than the wheeled versions, the CK30-1 can perform at it's best even on yielding soil and sand.

NET HORSEPOWER
62.6 kW **84 HP** @ 2500 rpm

OPERATING WEIGHT
4330 kg **9,546 lb**



Photos may include optional equipment.

OPERATORS COMPARTMENT

Engine Control

The engine RPM's can be controlled by either the hand throttle, the foot accelerator, or in combination for tight work sites.

Effective Operator Cab Environment

All instrumentation is within the peripheral view of the operator. The function switches are waterproof and placed within easy reach of the operator for comfort and convenience.

Control Pattern Change Valve - Optional

Convert from the Komatsu pattern to the optional pattern with the flip of a lever. This allows the Komatsu compact track loader to be customized to meet the individual operators needs. Especially useful for rental centers or whenever different operators need to use the machine on the job site.

Enhanced Operator Comfort

The operator arm rest bar is ergonomically designed to provide forearm support and incorporates an operator presence switch, which deactivates the controls and hydraulic circuits when the operator leaves the machine. A retractable seat belt is provided as standard equipment.



**SPLIT DESIGNED OPERATOR
ARM REST BAR**

PPC JOYSTICK CONTROLS

**PATTERN CHANGE
VALVE LEVER**

**EXCELLENT OPERATOR
ENVIRONMENT**

Split Designed Operator Arm Rest Bar

The split designed operator arm rest bar is easily engaged from both sides. The gauges and indicator lights are incorporated into the arm rest for increased operator efficiency, comfort and confidence.

PPC Joystick Controls

Another advanced feature is the low effort Proportional Pressure Control (PPC) joysticks that operate travel and loader operations. Easy to use PPC controls help operators work precisely and efficiently all day long – with minimum effort and reduced operator fatigue.

Auxiliary Hydraulic Control

The auxiliary hydraulic control provides excellent hydraulic power to front mounted attachments. The auxiliary hydraulic flow can easily be varied from 1 to 21 gallons per minute or locked on with the auxiliary override option.



SERVICEABILITY

Tilt-Forward ROPS/FOPS, Top Engine Cover & Floor Plate

This patented feature allows the cab to tilt with the loader arms down or up. Access to the engine, hydraulic and hydrostatic components is easily achieved.



Hinged Top Engine Cover and Rear Door Panel

The top engine cover opens out of the way for excellent engine access and the hinged rear door allows for convenient daily service checks. The floorboard can be removed separately for easy chassis clean out.

250 Hour Pin Greasing Interval

Minimizes daily downtime, reduces owning and operating costs. The special bronze bushings are specially treated and accompanied with dust seals.

Multi-Viscosity Oil Can Be Used for All Fluid Requirements

The engine and hydraulic systems utilize the same grade of multi-viscosity oil.

Removable Polyvinyl Fuel Tank

The fuel tank is constructed of polyvinyl plastic, corrosion resistant, and guards against condensation. A large opening with a strainer allows for easy re-fueling and an external level indicator is visible to during re-fueling. The fuel tank is easily removed with a fuel shut-off and quick release.

O-Ring Face Seal Fittings and Connectors

Specific torque settings are not required for optimal performance. The fitting and connectors have a low sensitivity to vibration and are reusable even after several disassemblies.

Side By Side Radiator and Oil Cooler

The radiator and oil cooler are accessible for cleaning from either side and are tiltable for additional inspection.

Loader Arm Maintenance Support Strut

Allows the operator to engage or disengage the maintenance support strut without assistance.



ENGINE-EPA TIER 2 CERTIFIED

Model Komatsu S4D98E-2NFE
 Type Diesel engine, 4 cycle
 Bore x stroke 98 x 110 mm **3.85 x 4.334 in**
 Number of cylinders 4
 Displacement 3.4 ltr **203 in³**
 Combustion Direct injection
 Aspiration Turbocharged
 Rated power:
 (SAE J1349) 62.6 kW **84 HP** @ 2500 rpm
 Max. torque 286 Nm **211 ft. lb.** @ 1600 rpm
 Cooling system Water
 Air filter Dry type with dual element
 Starting system Electric motor with pre-heating
 air system for cold weather -16° C (3.2° F)



TRANSMISSION

Type Hydrostatic
 Pumps 2 x variable displacement
 Motors 2 x axial piston motors
 Speeds (travel) Low 7.5 km/h **4.7 mph**
 High 12.0 km/h **7.5 mph**
 Sealed wet-disc parking brakes with automatic engagement when operator exits the cab



HYDRAULIC SYSTEM

Type Komatsu
 Pump Gear
 Max. flow - auxiliary hydraulic 80.0 ltr./min **21.0 gal/min**
 Max. pressure - auxiliary hydraulic 210 bar **3,045 psi**
 Control valve 3 elements fully Servo-controlled

High flow auxiliary hydraulic system "SUPER FLOW" (OPTIONAL):
 Max. flow 130 ltr./min **34 gal/min**



LOADER

Operating load 1127 kg **2,485 lb.**
 Tipping load (ISO 8313) 3220 kg **7,100 lb.**
 Bucket breakout force (ISO 8313) with short lip bucket 2290 kg **5,038 lb.**



STANDARD EQUIPMENT

- Accelerator pedal
- Adjustable seat with 50 mm 2" wide seat belt
- Automatic Power Control system (anti-stall)
- Auxiliary hydraulics
- Backup alarm
- Bucket self-leveling (up only)
- Cup holder
- Central Monitor Panel including hour meter, fuel level indicator, engine coolant temperature gauge. Warning lights: alternator, engine oil pressure, air filter restriction, hydraulic oil filter restriction, working lights, parking brakes, travel speed, float function and engine preheat
- Halogen working lights (2 front)
- Horn
- Loader arm float function
- Operator arm rest bar with sensor for parking brakes & hydraulic system lock-out
- Audible alarm for low engine oil pressure or high coolant temperature
- Rear window
- ROPS-FOPS (Level 1) open canopy
- Top window
- Two-speed transmission
- Universal front attachment coupler
- Wet-disc parking brakes



OPTIONAL EQUIPMENT

- Air conditioning
- Auxiliary hydraulics over-ride control
- Cab enclosure with heater and defroster
- Control pattern change valve
- FOPS (Level 2)
- Lifting hooks on cab roof
- Master electrical disconnect switch
- Rear counterweights (set of 6) 126 kg **278 lb**
- Ride control
- 76 mm 3" seat belt
- SUPERFLOW auxiliary hydraulics version, with additional auxiliary hydraulic circuit for attachments
- Suspension seat
- Working lights (2 rear)
- Amber rotating beacon
- 12 volt electrical outlet



CONTROLS

Proportional Pressure Control (PPC) joystick levers. The left hand joystick controls the travel, the right joystick controls the loader equipment. The PPC foot pedal controls the auxiliary hydraulic circuit for attachments. An operator presence system neutralizes the control system when the operator exits the cabin. Control pattern change valve is optional equipment. The optional control pattern splits the travel and the loader controls between both joystick levers.



ELECTRIC SYSTEM

Rated voltage 12 V
 Battery 100 Ah
 Alternator 40 A



SERVICE REFILL CAPACITIES

Hydraulic system 38.0 ltr. **10.0 US gal.**
 Fuel tank 73.0 ltr. **19.3 US gal.**
 Engine oil 12.5 ltr. **3.2 US gal.**
 Engine coolant 8.0 ltr. **2.0 US gal.**

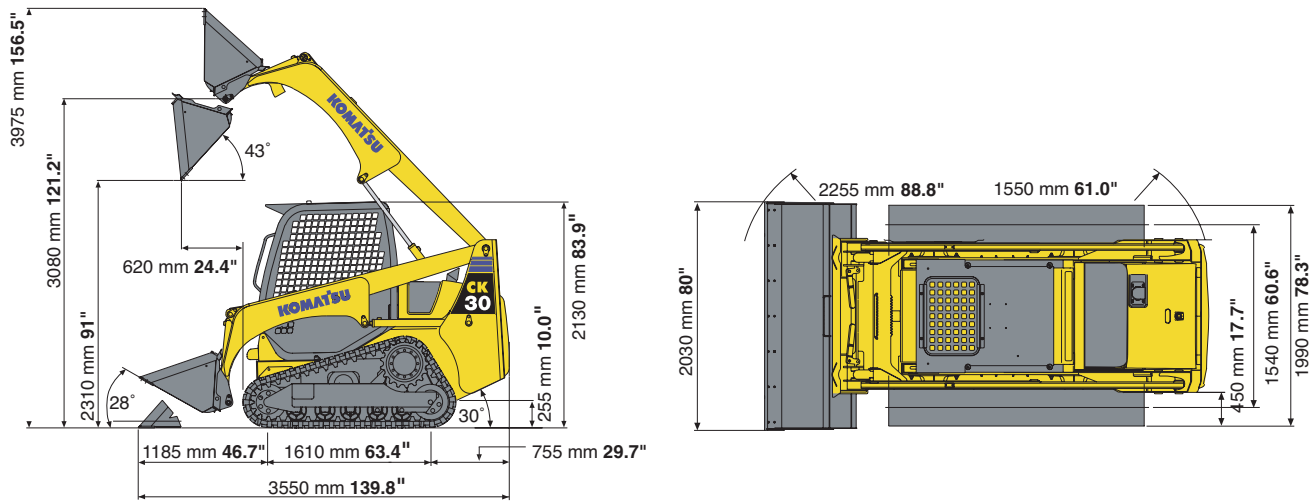


OPERATING WEIGHT

Operating weight of machine with standard bucket, full tank of fuel and an 80 kg **176 lb** operator (ISO 6016) 4330 kg **9,546 lb.**



DIMENSIONS



Dimensions are shown using a long-lip loader bucket.

Bucket	SAE rated	Base Machine with 2030 mm 80" Long Lip Bucket		Base Machine with 126 kg 278 lb. Counterweights & 2030 mm 80" Long Lip Bucket		Base Machine with 126 kg 278 lb. Counterweights & 1219 mm 48" Pallet Forks	
		0.43 m ³	0.64 yd³	0.49 m ³	0.64 yd³	N/A	N/A
Bucket capacity		0.43 m ³	0.64 yd³	0.49 m ³	0.64 yd³	N/A	N/A
Bucket width		2030 mm	80"	2030 mm	80"	N/A	N/A
Bucket weight (1219 mm 48" Pallet fork weight)		232 kg	511 lb	232 kg	511 lb	172 kg	372 lb
Static tipping load		3220 kg	7,100 lb	3473 kg	7,657 lb	2362 kg	5,207 lb
Operating capacity - 50% of tipping load		1610 kg	3,550 lb	1737 kg	3,830 lb	1182 kg	2,605 lb
Operating capacity - 35% of tipping load		1127 kg	2,485 lb	1216 kg	2,680 lb	828 kg	1,825 lb
Dump clearance, maximum height and 43° dump angle		2310 mm	91"	2310 mm	91"	N/A	N/A
Height to bucket hinge pin		3080 mm	121.2"	3080 mm	121.2"	3080 mm	121.2"
Reach at maximum height and 43° dump angle		620 mm	24.4"	620 mm	24.4"	N/A	N/A
Operating height	Fully raised	3975 mm	156.5"	3975 mm	156.5"	N/A	N/A
Clearance circle-front		2255 mm	88.8"	2255 mm	88.8"	2255 mm	88.8"
Clearance circle-rear		1550 mm	61"	1550 mm	61"	1550 mm	61"
Operating weight		4330 kg	9,546 lb	4608 kg	9,824 lb	4548 kg	9,685 lb

• All dimensions, weights, and performance values based on SAE J732c and J742b standards. Static tipping load and operating weight shown include 450 mm 17.7" track width, lubricant, coolant, full fuel tank, ROPS canopy, and operator. Machine stability and operating weight are affected by counterweight, tire size, and other attachments.

This specification sheet may contain attachments and optional equipment that are not available in your area. Please contact your local Komatsu distributor for those items you may require. Materials and specifications are subject to change without notice.

KUSS181-03

©2008 Komatsu America Corp. Printed in USA

K06(5M) C

06/08 (EV-2)